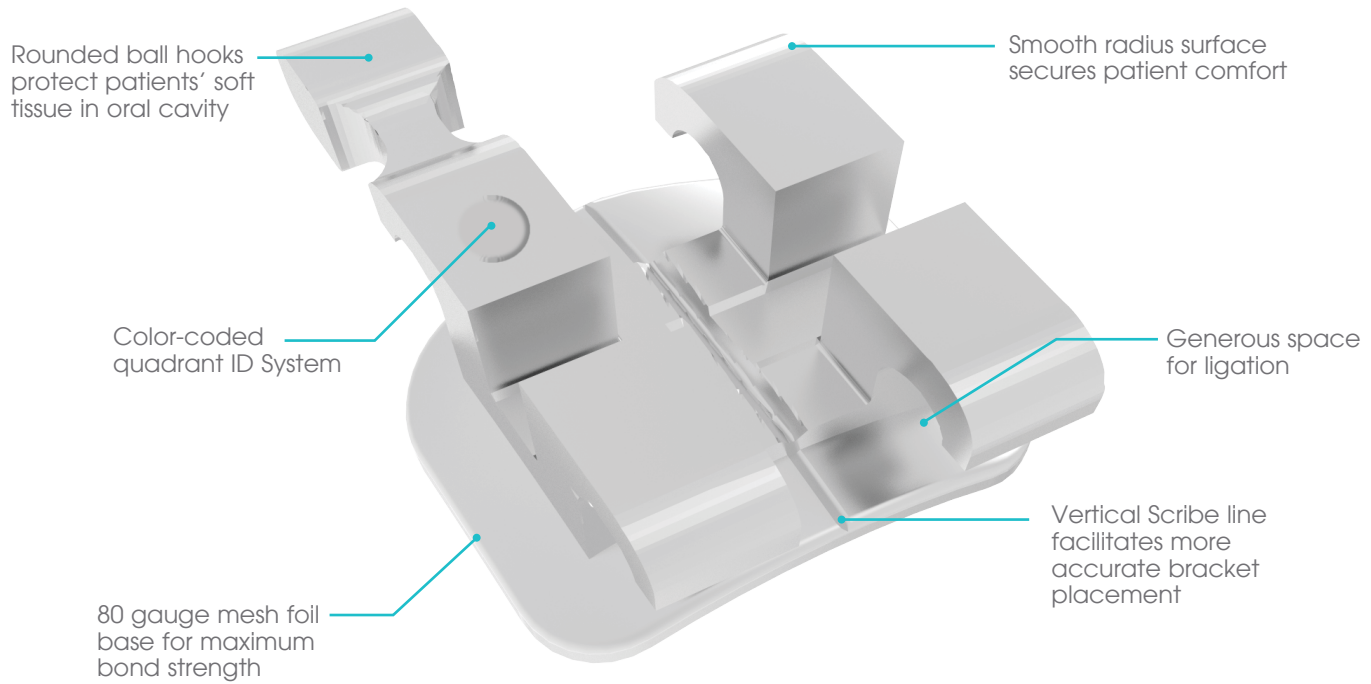


Mini Twin Brackets

RMO®'s Mini Twin bracket is a low-profile design that has all the features of a larger bracket in a compact design



MATERIAL: 17-4 PH Stainless Steel
BASE: 304 Stainless Steel 80-gauge Mesh
PRESCRIPTIONS: Roth, MBT & Standard Edgewise
SLOT SIZE: .018 & .022

FEATURES

Low profile design

Color quadrant & Permanent ID marking

Center scribe

BENEFITS

Reduces labial interference

Assures patient comfort

Aesthetically pleasing

Quick and accurate identification

Offers precise bracket placement