

bracket systems

FLI® COMPOSITE BRACKETS: OVERVIEW

FLI® Composite Brackets

FLI® Composite Brackets offer an economical aesthetic twin option in a high-strength one-piece polyurethane.

Ligation: Tie wings incorporate undercuts and downdraft for easy and secure ligation

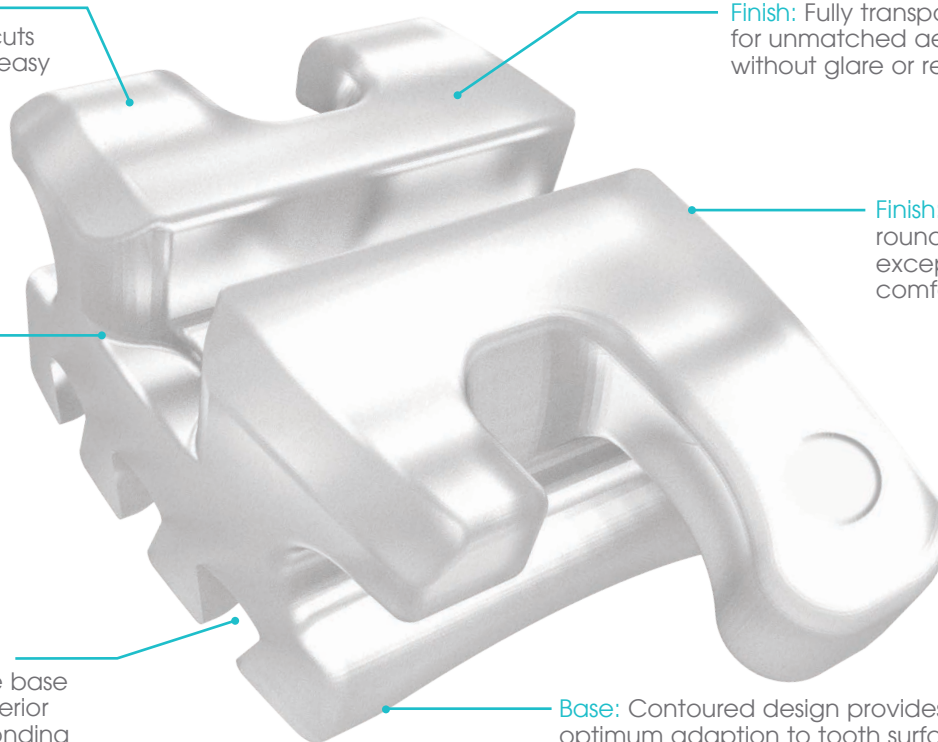
Finish: Fully transparent for unmatched aesthetics without glare or reflections

Reduced Friction: Smooth rounded flared archslot lead-ins for reduced friction

Finish: Smooth rounded surface for exceptional patient comfort

Base: Patented mushroom style base rails deliver superior mechanical bonding

Base: Contoured design provides optimum adaption to tooth surfaces



MATERIAL: Medical Grade Polyurethane Composite

PRESCRIPTIONS: Roth, Standard Edgewise

SLOT SIZE: .018 & .022

FEATURES

Tie wings with deep undercuts and downdraft

Fully transparent

High strength polyurethane

Smooth, polished surfaces

Low profile with rounded contours

Smooth, flared archslot

Patented mushroom-style base

Contoured base design

Micro-etched base

BENEFITS

Easy, more secure ligation

Unmatched aesthetics and true natural appearance

Improved ductility and fracture resistance under tensile stresses

No cloudy appearance as compared to traditional ceramics

Exceptional patient comfort

Improved sliding mechanics – less binding

Reduced friction over traditional ceramics

Superior bond performance and strength

Consistent debonding – greater confidence without sacrificing strength

Optimum adaptation to tooth surfaces

Added bond strength from surface undercuts to grip adhesive

No plastic primers needed for bonding

Roth Prescription - Maxillary Brackets

Tooth	Torque	Angulation	Offset	Hook	R/L	.018	.022
Central	12°	5°	0°		R	C11000	C11100
	12°	5°	0°		L	C11001	C11101
Lateral	8°	9°	0°		R	C11002	C11102
	8°	9°	0°		L	C11003	C11103
Cuspid	0°	11°	4° MO		R	C11004	C11104
	0°	11°	4° MO		L	C11005	C11105
	0°	11°	4° MO	Distal	R	C11006	C11106
	0°	11°	4° MO	Distal	L	C11007	C11107
1st/2nd	-7°	0°	0°		R/L	C11008	C11108
Bicuspid	-7°	0°	0°	Center	R/L	C11010	C11110



Roth Prescription - Mandibular Brackets

Tooth	Torque	Angulation	Offset	Hook	R/L	.018	.022
Central/ Lateral	0°	0°	0°		R/L	C11022	C11122
Cuspid	-11°	5°	2° MO		R	C11024	C11124
	-11°	5°	2° MO		L	C11025	C11125
	-11°	5°	2° MO	Distal	R	C11026	C11126
	-11°	5°	2° MO	Distal	L	C11027	C11127
1st	-17°	0°	0°		R/L	C11028	C11128
Bicuspid	-17°	0°	0°	Center	R/L	C11030	C11130
2nd	-22°	0°	0°		R/L	C11032	C11132
Bicuspid	-22°	0°	0°	Center	R/L	C11034	C11134



Roth Prescription - Kits

Description	.018	.022
Roth FLI® Composite without hook, 5-5 U/L	KC11000	KC11100
Roth FLI® Composite hook cuspid, 5-5 U/L	KC11001	KC11101
Roth FLI® Composite hook cuspid/bicuspid, 5-5 U/L	KC11002	KC11102
Roth FLI® Composite without hook, 3-3 U/L	KC11010	KC11110
Roth FLI® Composite hook cuspid, 3-3 U/L	KC11011	KC11111
Roth FLI® Composite hook cuspid, 3-3 U	KC11012	KC11112

bracket systems

FLI® COMPOSITE BRACKETS: STANDARD EDGEWISE PRESCRIPTION



Standard Edgewise Prescription - Maxillary Brackets

Tooth	Torque	Angulation	Offset	Hook	R/L	.018	.022
Central	0°	0°	0°		R/L	C12000	C12020
Lateral	0°	0°	0°		R/L	C12002	C12022
Cuspid	0°	0°	0°		R/L	C12004	C12024
1st/2nd	0°	0°	0°		R/L	C12006	C12026
Bicuspid							



Standard Edgewise Prescription - Mandibular Brackets

Tooth	Torque	Angulation	Offset	Hook	R/L	.018	.022
Central/ Lateral	0°	0°	0°		R/L	C12008	C12028
Cuspid	0°	0°	0°		R/L	C12004	C12024
1st/2nd	0°	0°	0°		R/L	C12006	C12026
Bicuspid							

Standard Edgewise Prescription - Kits

Description	.018	.022
Standard Edgewise FLI® Composite 3-3 U/L	KC12010	KC12030
Standard Edgewise FLI® Composite 5-5 U/L	KC12000	KC12020