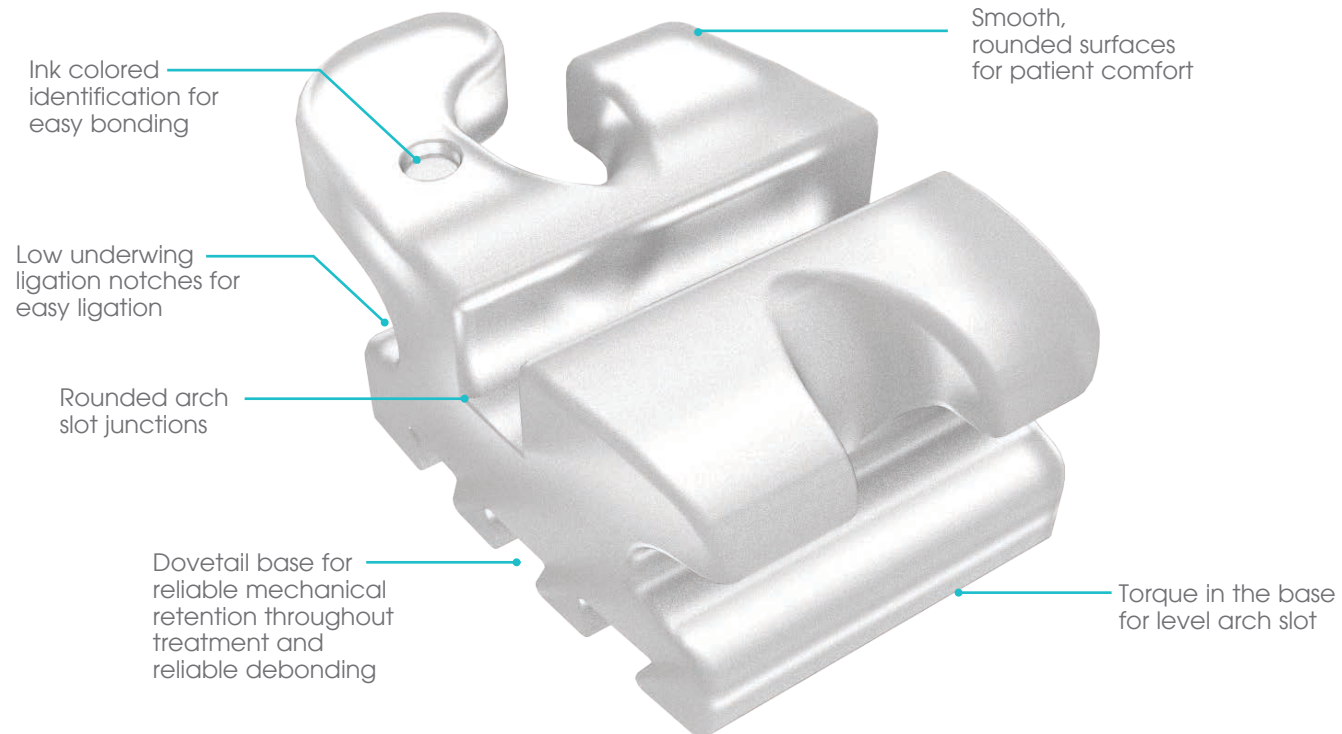


Signature III Brackets

The Signature III bracket line is an aesthetic ceramic twin bracket which combines a dovetail base for reliable bonding with unique rounded features at the slot wall junctions for decreased internal bracket stresses and increased strength. This combination eliminates the common causes of failure among most ceramic brackets on the market today.



MATERIAL: Extruded Polycrystalline Alumina (ceramic)

PRESCRIPTIONS: Roth, MBT, Ricketts Bioprogressive, RMO Bioprogressive, & Standard Edgewise

SLOT SIZE: .018 & .022

FEATURES

Rounded junctions in arch slot

Dovetail base design

Smooth, rounded surfaces

Torque-in-base

Color quadrant marking

BENEFITS

Eliminates stress points on slot; designed for strength with ceramic aesthetics

Reliable mechanical bond

Consistent retention

Simplified debonding

Patient comfort

Provides optimal slot alignment and reduces both guesswork and chair time

Quick and accurate identification

Roth Prescription - Maxillary Brackets

Tooth	Torque	Angulation	Offset	Hook	R/L	.018	.022
Central	12°	5°	0°		R	Q03010	Q03030
	12°	5°	0°		L	Q03011	Q03031
Lateral	8°	9°	0°		R	Q03012	Q03032
	8°	9°	0°		L	Q03013	Q03033
Cuspid	0°	11°	4° MO		R	Q03018	Q03038
	0°	11°	4° MO		L	Q03017	Q03037
	0°	11°	4° MO	Distal	R	Q03014	Q03034
	0°	11°	4° MO	Distal	L	Q03015	Q03035
1st/2nd	-7°	0°	0°		R/L	Q03019	Q03039
Bicuspid	-7°	0°	0°	Center	R/L	Q03016	Q03036



Roth Prescription - Mandibular Brackets

Tooth	Torque	Angulation	Offset	Hook	R/L	.018	.022
Central/ Lateral	0°	0°	0°		R/L	Q03029	Q03049
Cuspid	-11°	5°	2° MO		R	Q03025	Q03045
	-11°	5°	2° MO		L	Q03026	Q03046
	-11°	5°	2° MO	Distal	R	Q03021	Q03041
	-11°	5°	2° MO	Distal	L	Q03022	Q03042
1st	-17°	0°	0°		R/L	Q03027	Q03047
Bicuspid	-17°	0°	0°	Center	R/L	Q03023	Q03043
2nd	-22°	0°	0°		R/L	Q03028	Q03048
Bicuspid	-22°	0°	0°	Center	R/L	Q03024	Q03044



Roth Prescription - Kits

Description	.018	.022
Roth Singature III hook on cuspid, 3-3 U	KQ03013	KQ03033
Roth Singature III without hook, 3-3 U/L	KQ03020	KQ03040
Roth Singature III hook on cuspid, 3-3 U/L	KQ03022	KQ03042
Roth Singature III without hook, 5-5 U/L	KQ03024	KQ03044
Roth Singature III hook on cuspid, 5-5 U/L	KQ03025	KQ03045
Roth Singature III hook on cuspid/bicuspid, 5-5 U/L	KQ03026	KQ03046

bracket systems

SIGNATURE III BRACKETS: MBT PRESCRIPTION



MBT Prescription - Maxillary Brackets

Tooth	Torque	Angulation	Offset	Hook	R/L	.018	.022
Central	17°	4°	0°		R	Q03200	Q03300
	17°	4°	0°		L	Q03201	Q03301
Lateral	10°	8°	0°		R	Q03202	Q03302
	10°	8°	0°		L	Q03203	Q03303
Cuspid	-7°	8°	0°	Distal	R	Q03216	Q03316
	-7°	8°	0°	Distal	L	Q03217	Q03317
Extraction cases	0°	8°	0°	Distal	R	Q03206	Q03306
	0°	8°	0°	Distal	L	Q03207	Q03307
1st/2nd Bicuspid	-7°	0°	0°	Center	R/L	Q03210	Q03310



MBT Prescription - Mandibular Brackets

Tooth	Torque	Angulation	Offset	Hook	R/L	.018	.022
Central/ Lateral	-6°	0°	0°		R/L	Q03220	Q03320
Cuspid	-6°	3°	0°	Distal	R	Q03236	Q03336
	-6°	3°	0°	Distal	L	Q03237	Q03337
Extraction cases	0°	3°	0°	Distal	R	Q03226	Q03326
	0°	3°	0°	Distal	L	Q03227	Q03327
1st	-12°	2°	0°	Center	R	Q03230	Q03330
Bicuspid	-12°	2°	0°	Center	L	Q03231	Q03331
2nd	-17°	2°	0°	Center	R	Q03234	Q03334
Bicuspid	-17°	2°	0°	Center	L	Q03235	Q03335

MBT Prescription - Kits

Description	.018	.022
MBT Signature III -6°T cuspid, hook on cuspid/bicuspid, 5-5	KQ03202	KQ03302
Extraction Case	.018	.022
MBT Signature III 0°T cuspid, hook on cuspid/bicuspid, 5-5	KQ03205	KQ03305

Ricketts® Original Bioprogressive® Prescription - Maxillary Brackets

Tooth	Torque	Angulation	Offset	Hook	R/L	.018
Central	22°	0°	0°		R/L	Q08000
Lateral	14°	9°	0°		R	Q08002
	14°	9°	0°		L	Q08003
Cuspid	7°	5°	0°		R	Q08004
	7°	5°	0°		L	Q08005
	7°	5°	0°	Distal	R	Q08006
	7°	5°	0°	Distal	L	Q08007
1st/2nd Bicuspid	0°	0°	0°	Center	R/L	Q08020



Ricketts® Original Bioprogressive® Prescription - Mandibular Brackets

Tooth	Torque	Angulation	Offset	Hook	R/L	.018
Central/ Lateral	0°	0°	0°		R/L	Q08022
Cuspid	7°	5°	0°		R	Q08012
	7°	5°	0°		L	Q08013
	7°	5°	0°	Distal	R	Q08014
	7°	5°	0°	Distal	L	Q08015
1st/2nd Bicuspid	0°	0°	0°	Center	R/L	Q08020



Ricketts® Original Bioprogressive® Prescription - Kits

Description	.018
Ricketts® Original Bioprogressive® Signature III, hook on cuspid, 3-3 U/L	KQ08002
Ricketts® Original Bioprogressive® Signature III, hook on cuspid/bicuspid, 5-5 U/L	KQ08003

bracket systems

SIGNATURE III BRACKETS: RMO® BIOPROGRESSIVE® PRESCRIPTION



RMO® Bioprogressive® Prescription - Maxillary Brackets

Tooth	Torque	Angulation	Offset	Hook	R/L	.018
Central	22°	0°	0°		R/L	Q08100
Lateral	14°	9°	0°		R	Q08102
	14°	9°	0°		L	Q08103
Cuspid	7°	5°	0°		R	Q08104
	7°	5°	0°		L	Q08105
	7°	5°	0°	Distal	R	Q08106
	7°	5°	0°	Distal	L	Q08107
1st/2nd Bicuspid	-7°	0°	0°	Center	R/L	Q08108



RMO® Bioprogressive® Prescription - Mandibular Brackets

Tooth	Torque	Angulation	Offset	Hook	R/L	.018
Central/ Lateral	0°	0°	0°		R/L	Q08120
Cuspid	7°	5°	0°		R	Q08112
	7°	5°	0°		L	Q08113
	7°	5°	0°	Distal	R	Q08114
	7°	5°	0°	Distal	L	Q08115
1st Bicuspid	-17°	0°	0°	Center	R/L	Q08116
2nd Bicuspid	-22°	0°	0°	Center	R/L	Q08118

RMO® Bioprogressive® Prescription - Kits

Description	.018
RMO® Bioprogressive® Signature III hook on cuspid, 3-3 U/L	KQ08102
RMO® Bioprogressive® Signature III hook on cuspid/bicuspid, 5-5 U/L	KQ08103

Standard Edgewise Prescription - Maxillary Brackets

Tooth	Torque	Angulation	Offset	Hook	R/L	.018	.022
Central	0°	0°	0°		R/L	Q09000	Q09020
Lateral	0°	0°	0°		R/L	Q09002	Q09022
Cuspid	0°	0°	0°		R/L	Q09004	Q09024
1st/2nd	0°	0°	0°		R/L	Q09006	Q09026
Bicuspid							



Standard Edgewise Prescription - Mandibular Brackets

Tooth	Torque	Angulation	Offset	Hook	R/L	.018	.022
Central/ Lateral	0°	0°	0°		R/L	Q09008	Q09028
Cuspid	0°	0°	0°		R/L	Q09004	Q09024
1st/2nd	0°	0°	0°		R/L	Q09006	Q09026
Bicuspid							



Standard Edgewise Prescription - Kits

Description	.018	.022
Standard Edgewise Signature III 3-3 U	KQ09041	KQ09061
Standard Edgewise Signature III 3-3 U/L	KQ09000	KQ09060
Standard Edgewise Signature III 5-5 U/L	KQ09042	KQ09062